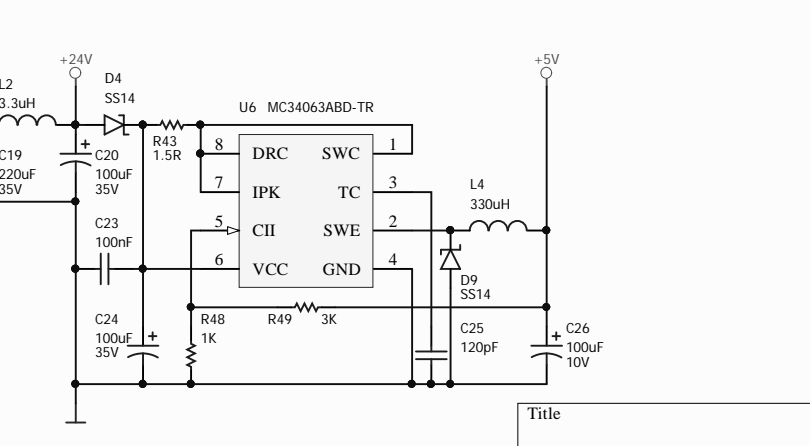
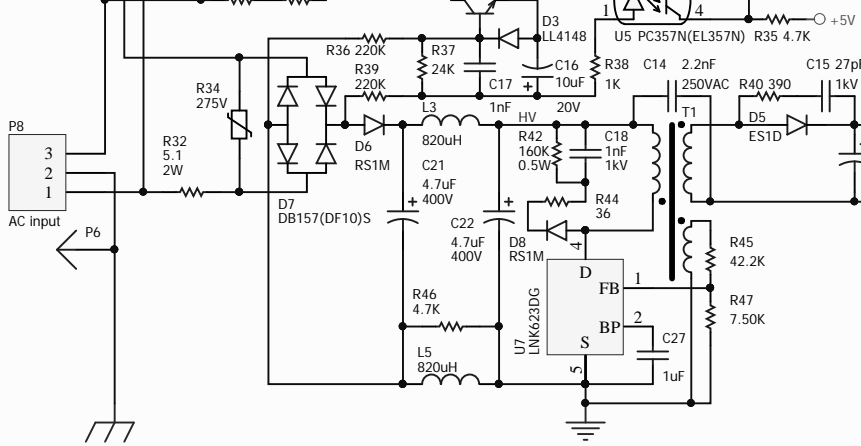
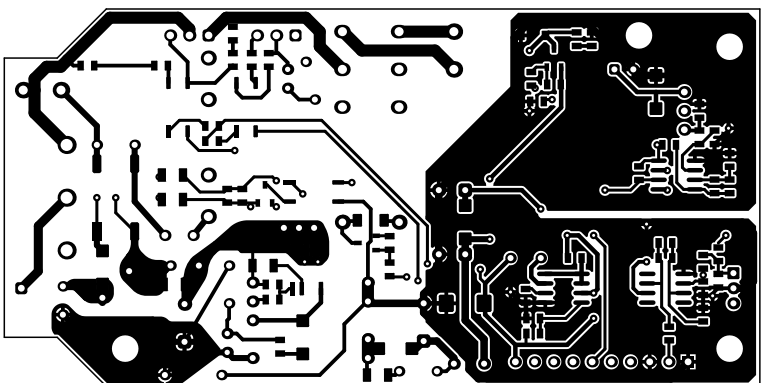
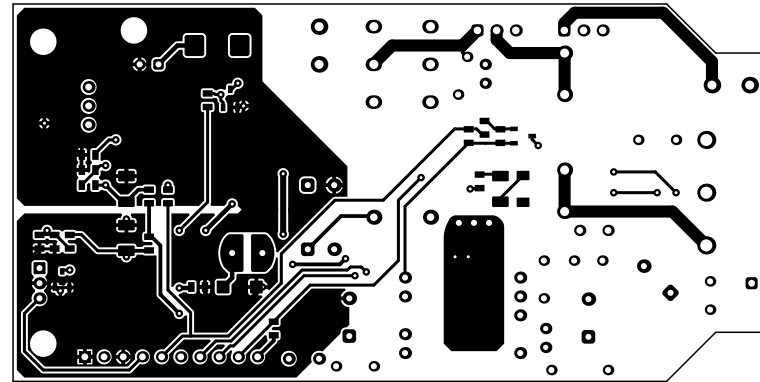


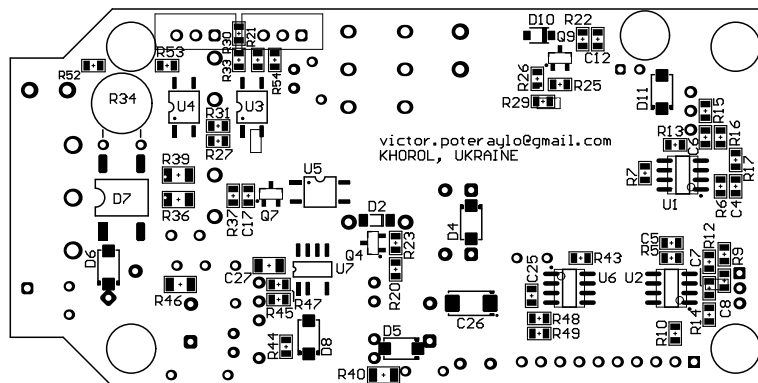
D11 можно не устанавливать тогда C11 должен быть на 50B

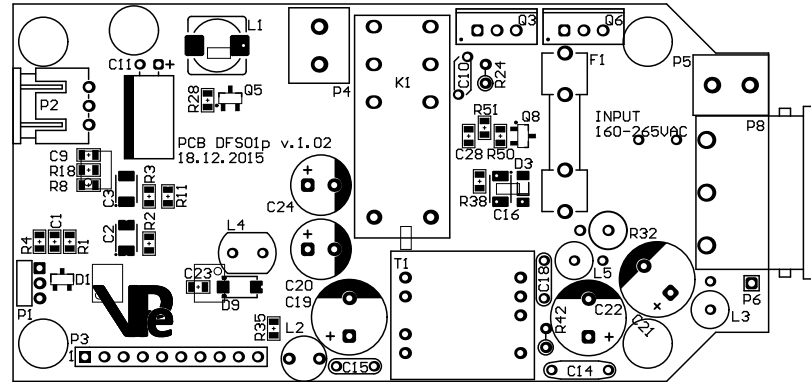


Title		
Size	Number	Revision
A4		
Date:	05.10.2016	Sheet of
File:	D:\Documents\...\DFS01p_MB_v1.1.x.Sch	Down By:









Value	Comment	Designator	Description	Footprint	Quantity
100F	Cap Semi	C1, C2, C3, C28	Capacitor (Semiconductor SMD Model)	C0805	
100F	Cap Semi	C5	Capacitor (Semiconductor SMD Model)	C0805	
120pF	Cap Semi	C25	Capacitor (Semiconductor SMD Model)	C0805	
1nF	Cap Semi	C4, C17	Capacitor (Semiconductor SMD Model)	C0805	
470nF	Cap Semi	C9	Capacitor (Semiconductor SMD Model)	C0805	
47nF	Cap Semi	C12	Capacitor (Semiconductor SMD Model)	C0805	
680nF	Cap Semi	C8	Capacitor (Semiconductor SMD Model)	C0805	
1uF	Cap Semi	C27	Capacitor (Semiconductor SMD Model)	C1206	
10uF	20V	C16	Tantalum Commercial, Surface Mount Solid Tantalum Chip Capacitor for Switch Mode Power Supplies and Converters: 4.7uF, 20% Tolerance, 20 W/VDC @ +85C, Surge = 20V	Cap Tantal SMD B	
47uF	10V	C2, C3	Tantalum Commercial, Surface Mount Solid Tantalum Chip Capacitor 15uF, 20% Tolerance, 4 W/VDC @ +85C, Surge = 5.2V	Cap Tantal SMD B	
100uF	10V	C26	Tantalum Commercial, Surface Mount Solid Tantalum Chip Capacitor 15uF, 20% Tolerance, 4 W/VDC @ +85C, Surge = 5.2V	Cap Tantal SMD C	
11F	1kV	C18	Capacitor	Capacitor 5x2.5 P5mm	
27pF	1kV	C15	Capacitor	Capacitor 5x2.5 P5mm	
100pF	1kV	C10	Capacitor	Capacitor 6x2 5mm	
2.2nF	250VAC	C14	Capacitor	Capacitor 8x2.5 P7.5mm	
47uF	35V	C11	Aluminum Electrolytic Capacitor, Radial Style with Long Leads - 47uF, 35V	CapElyt Bx11.5x2.5 - H	
100uF	35V	C20, C24	Aluminum Electrolytic Capacitor 220uF 35V	CapElyt Bx11.5x3.5	
220uF	35V	C19	Aluminum Electrolytic Capacitor 220uF 35V	CapElyt 10x16x5.0	
4.7uF	500V	C21, C22	Aluminum Electrolytic Capacitor 100uF 50V	CapElyt 10x16x5.0	
	275V	R34	Resistor 275V	CAP Y1 DB -H	
	Header	P4	Header, 2 Pin	Connector 2x5	
	Power Switch	P5	Header, 2 Pin	Connector 2x5	
	FAN	P2	Header, 3 Pin	Connector 3P 2.5	
	USB Connect	P3	Header, 10 Pin	Conn P8B10	
	Res	P1	Header, 3 Pin	Header 3x3	
500uH	Drossal	L3, L5	Inductor	Inductor 0510 Vertical	
3.3uH	Drossal	L2	Inductor	Inductor DBL8xP4	
0.5-10uH	Drossal	L1	Inductor	Inductor SC80704	
100uH	Drossal	L4	Inductor	Inductor END0504	
	Plug	P6	Plug	Pin	
1.5K	Res Semi	R33	Resistor	R0805	
100K	Res Semi	R5, R6, R8, R23, R28, R30	Resistor	R0805	
100K	Res Semi	R4	Resistor	R0805	
10K	Res Semi	R1, R13, R16, R20, R28	Resistor	R0805	
10K	Res Semi	R2, R3	Resistor	R0805	
100	Res Semi	R21, R30, R33, R32, R33, R34	Resistor	R0805	
1K	Res Semi	R10, R11, R12, R14, R17, R22, R25, R26, R28, R28	Resistor	R0805	
1M	Res Semi	R7	Resistor	R0805	
10K	Res Semi	R15	Resistor	R0805	
50K	Res Semi	R27	Resistor	R0805	
10K	Res Semi	R31	Resistor	R0805	
5K	Res Semi	R35	Resistor	R0805	
100	Res Semi	R27, R31	Resistor	R0805	
5K	Res Semi	R39	Resistor	R0805	
4.7K	Res Semi	R18, R35	Resistor	R0805	
10.2K	Res Semi 1%	R45	Resistor	R0805	
7.50K	Res Semi 1%	R47	Resistor	R0805	
70K	Res Semi	R9	Resistor	R0805	
220K	Res Semi	R36, R39	Resistor	R1206	
100	Res Semi	R40	Resistor	R1206	
4.7K	Res Semi	R46	Resistor	R1206	
	TYCOO RT2	K1	Relay TYCOO RT2	Relay TYCOO RT2	
5.1	2W	R32	Resistor	Res 2W 25x7.5 Vertical	
100K	0.5W	R42	Resistor	RES_VERT_S	
50	Res Semi	R24	Resistor	RES_VERT_S	
	DB15STEP-105	U7	Diode BRIDGE	SCR4-6	
	ES10	D6	Diode	SMA Diode	
	ES10	D5, D8	Diode	SMA Diode	
	SMA224A	D11	Diode ZENER	SMA Diode	
	ES14	D4, D9	Diode Diode	SMA Diode	
	UD8501AR	U2	Single Channel Rail-to-Rail Operational Amplifier, 1.5 MHz, 8V, 400 mV/us SR, Industrial, 8pin SMD (R-8), Tube	OP_A	
	LM380	U1	Dual Low Power Operational Amplifier	OP_A	
	MC3403AARD-TR	U8	PACKS common control circuit, 8 Pts SO, Tape and Reel	OP_A	
	SN75C02	U7	Line Switch-CV Buffer	OP_A	
	MC Input	P8	Header, 3 Pin	Socket PC3	
	ES14B	D3, D7	Diode	Diode BRIDGE	
	NBR0503	D10	NBR0503	SOD-123	
	PODM0503	U3	Opio TRIAC SOP4	SOP4-6	
	PODM0503	U4	Opio TRIAC ZCD	SOP4-6	
	ACS712EL357N	U5	4-Pin Phototransistor Optoisolator	SOP4-6	
	SAV99	D1	Diode 5V10V	SO23 (S831)	
	BC348B	Q4, Q5, Q7, Q8	BC348B	SO23-3 N	
	PS24500V	Q9	PS24500V	SO23-3 N	
	BT-138X	Q3, Q6	Silicon Bidirectional Triode Thyristor	to-220ab	
	TransEE16	F1	Transformer PWS	TRANS EE16 H EE16B/S	

